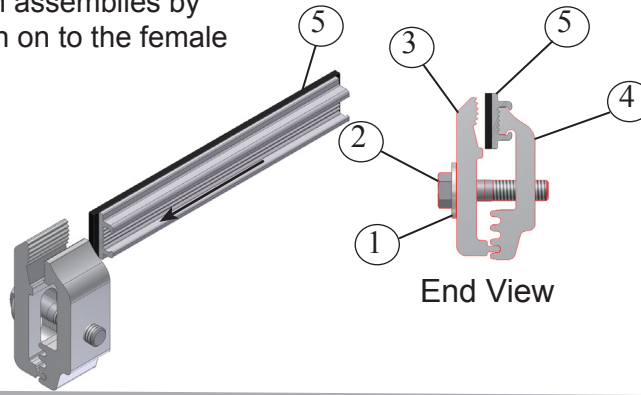


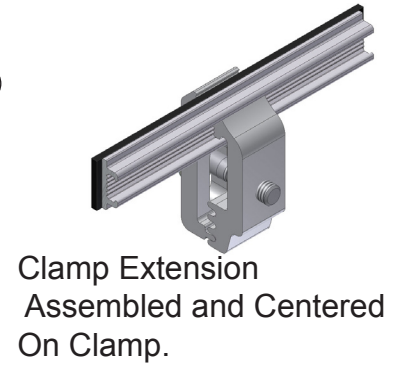
TRUXEDO® CLAMP EXTENSION AND STAKE POCKET CLAMP KIT FOR GM DEUCE

- 1** Assemble clamp extension assemblies by sliding the clamp extension on to the female clamp half.

Item	Part #	Description
1.	1700429	Flat Washer, 3/8"
2.	1700369	Cap Screw, 3/8"
3.	1703254	Male Clamp
4.	1703253	Female Clamp
5.	1117577	Clamp Extension
	(1115191)	Assembled Clamp



End View



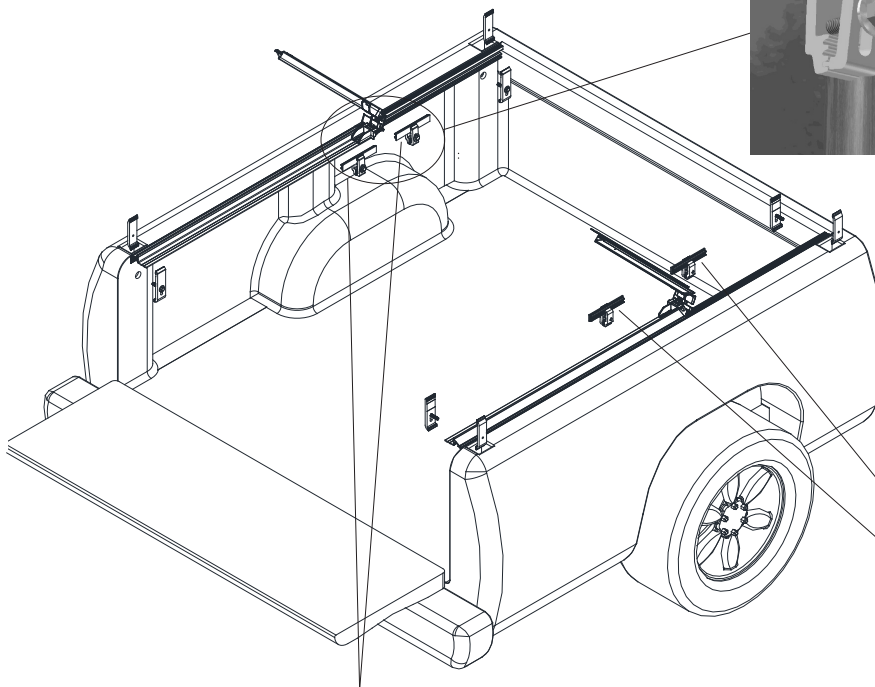
Clamp Extension Assembled and Centered On Clamp.

- 2** With TruXedo side rails held in place attach clamp extension assembly to the truck box and TruXedo rails.

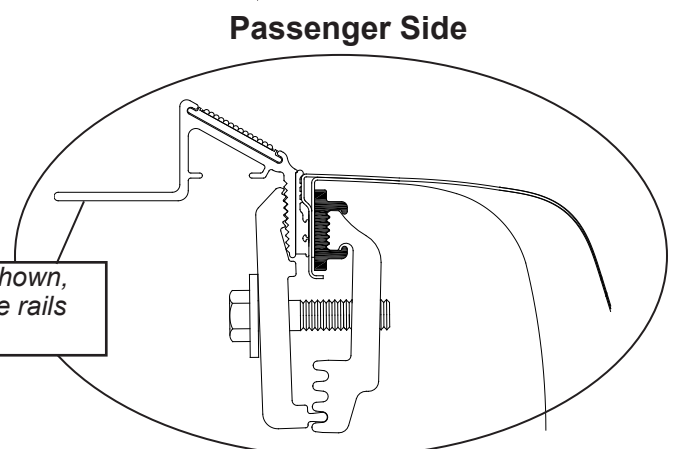


CAUTION

Note: If your truck has aftermarket or factory side rail protectors, use plastic shims, part number 1117097. Failure to do so may cause side rail to not sit level and or could cause damage to the vehicle. Contact customer service for information regarding shim kit 1117097.



Driver Side



Passenger Side

Lo Pro side rails shown, other TruXedo side rails may also apply.

View showing clamp and extension correctly attached to the driver side TruXedo rail and truck box.

View showing clamp and extension correctly attached to the passenger side TruXedo rail and truck box.

by TruXedo, Inc.

P.O. Box 1078, 2209 Kellen Gross Dr., Yankton, SD 57078

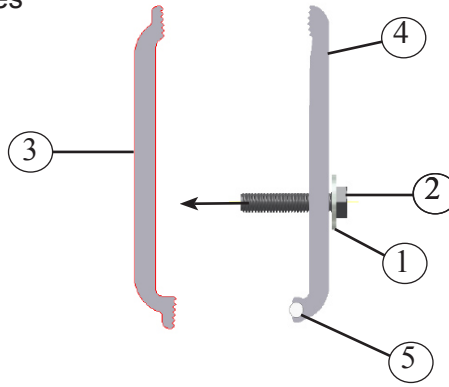
Phone: 877- 878-9336 • Fax: (605) 664-9304 www.truxedo.com

TRUXEDO

P/N 1117600 Rev. A

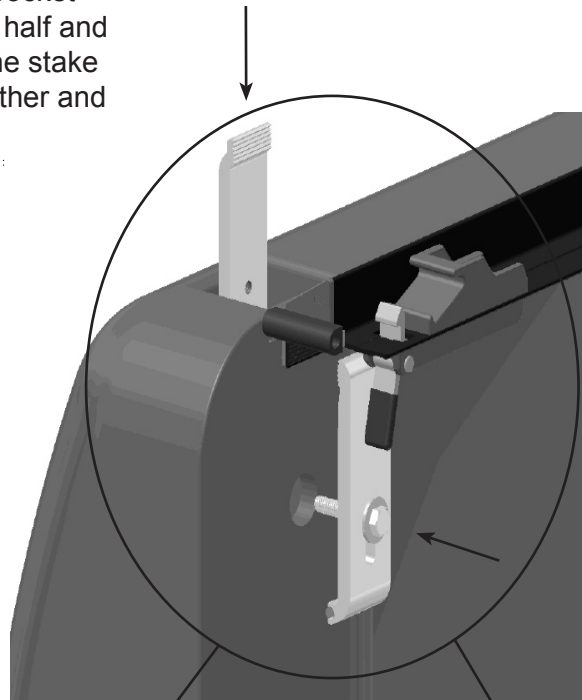
TRUXEDO® CLAMP EXTENSION AND STAKE POCKET CLAMP

- 3** Disassemble stake pocket clamp assemblies by unscrewing the stake pocket clamp half from the female clamp half.



Item	Part #	Description
1.	1700428	VMI Flat Washer, 5/16"
2.	1703548	Cap Screw, 5/16"
3.	1704576	Stake Pocket Clamp
4.	1704583	Male Clamp
5.	1704585	Urethane Round
	(1704592 Assembled Clamp)	

- 4** With TruXedo side rails in place, insert stake pocket clamp half into stake pocket. While holding stake pocket clamp half, insert male clamp half and bolt through the bolt hole of the stake pocket. Bolt clamp halves together and tighten.



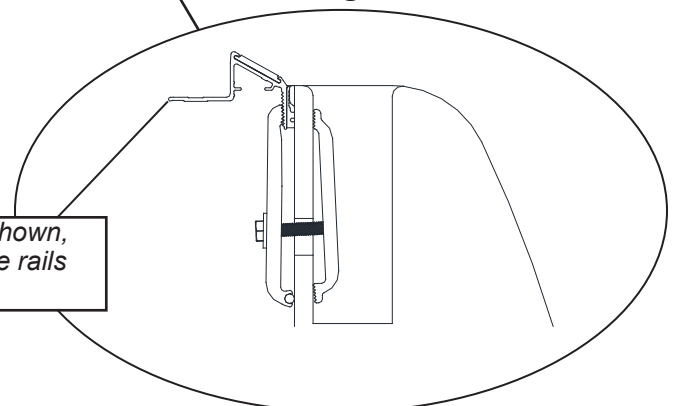
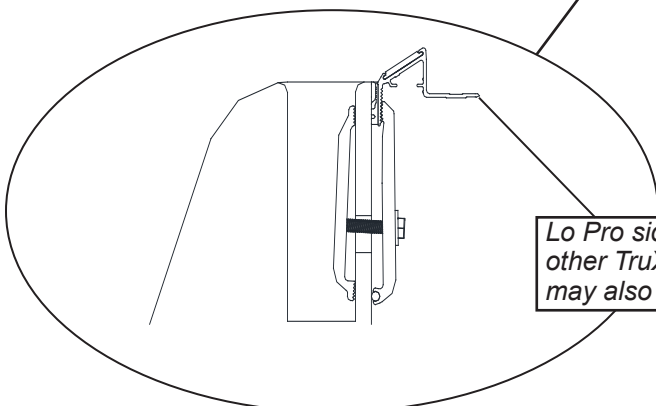
CAUTION

Tighten clamp assemblies securely on side rails before driving vehicle. Torque all clamp bolts to 8 FT Lbs. +/-1

NOTE: Over torquing bolts may damage bed rail.

Driver Side

Passenger Side



Lo Pro side rails shown, other TruXedo side rails may also apply.

View showing stake pocket clamp correctly attached to the driver side TruXedo rail and truck box.

View showing stake pocket clamp correctly attached to the passenger side TruXedo rail and truck box.

by TruXedo, Inc.

P.O. Box 1078, 2209 Kellen Gross Dr., Yankton, SD 57078

Phone: 877- 878-9336 • Fax: (605) 664-9304 www.truxedo.com

TRUXEDO

P/N 1117600 Rev. A