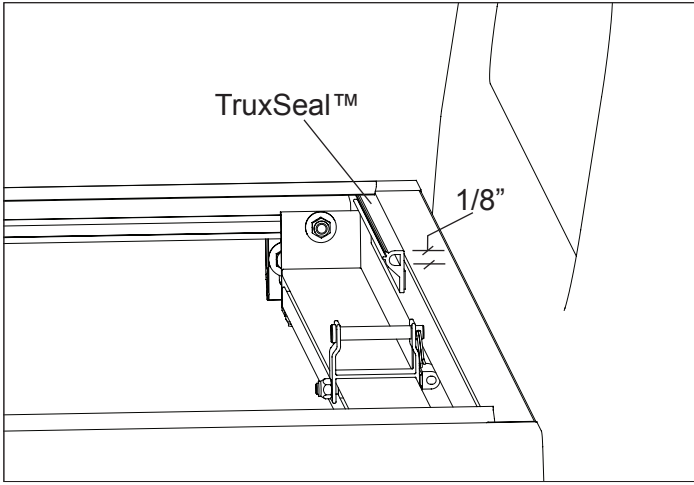


## TRUXEDO® DEUCE BULKHEAD SEAL KIT

Clean surface with rubbing alcohol before applying seal to bulkhead. At each front corner - Place Trux-Seal™ between the underbody rail and bulkhead. Position the top of the Truxseal™ 1/8" above the top of the trucks bulkhead as shown.



**TRUXEDO**  
*Deuce*  
Patents Pending

by TruXedo, Inc.

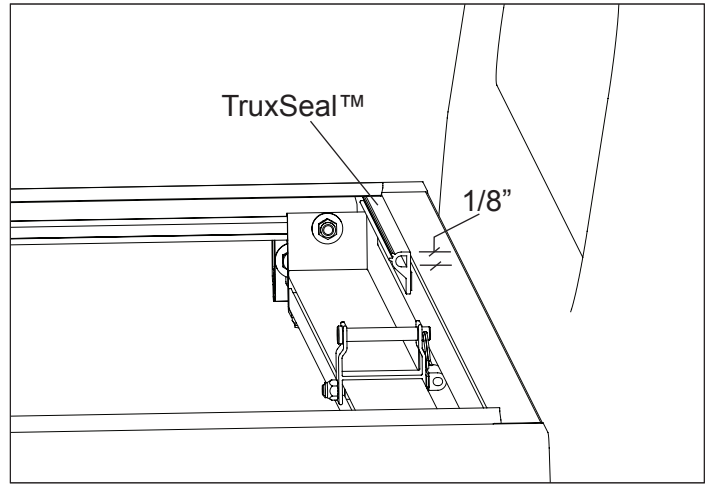
P.O. Box 1078, 2209 Kellen Gross Dr., Yankton, SD 57078

Phone: 877- 878-9336 • Fax: (605) 664-9304 [www.truxedo.com](http://www.truxedo.com)

P/N 1117098 Rev. B

## TRUXEDO® DEUCE BULKHEAD SEAL KIT

Clean surface with rubbing alcohol before applying seal to bulkhead. At each front corner - Place Trux-Seal™ between the underbody rail and bulkhead. Position the top of the Truxseal™ 1/8" above the top of the trucks bulkhead as shown.



**TRUXEDO**  
*Deuce*  
Patents Pending

by TruXedo, Inc.

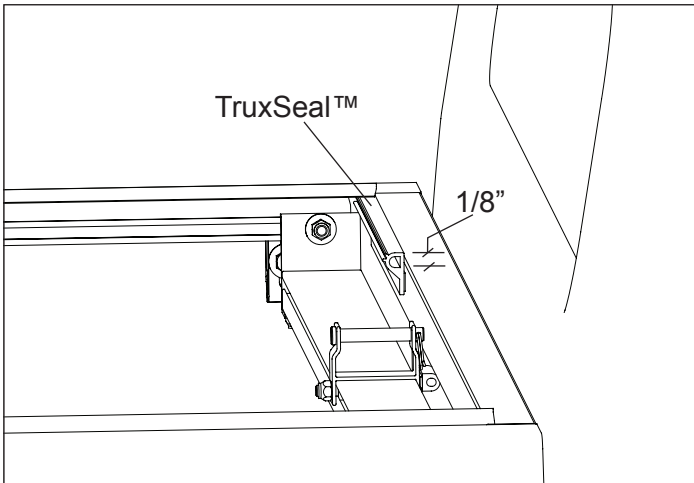
P.O. Box 1078, 2209 Kellen Gross Dr., Yankton, SD 57078

Phone: 877- 878-9336 • Fax: (605) 664-9304 [www.truxedo.com](http://www.truxedo.com)

P/N 1117098 Rev. B

## TRUXEDO® DEUCE BULKHEAD SEAL KIT

Clean surface with rubbing alcohol before applying seal to bulkhead. At each front corner - Place Trux-Seal™ between the underbody rail and bulkhead. Position the top of the Truxseal™ 1/8" above the top of the trucks bulkhead as shown.



**TRUXEDO**  
*Deuce*  
Patents Pending

by TruXedo, Inc.

P.O. Box 1078, 2209 Kellen Gross Dr., Yankton, SD 57078

Phone: 877- 878-9336 • Fax: (605) 664-9304 [www.truxedo.com](http://www.truxedo.com)

P/N 1117098 Rev. B

## TRUXEDO® DEUCE BULKHEAD SEAL KIT

Clean surface with rubbing alcohol before applying seal to bulkhead. At each front corner - Place Trux-Seal™ between the underbody rail and bulkhead. Position the top of the Truxseal™ 1/8" above the top of the trucks bulkhead as shown.



**TRUXEDO**  
*Deuce*  
Patents Pending

by TruXedo, Inc.

P.O. Box 1078, 2209 Kellen Gross Dr., Yankton, SD 57078

Phone: 877- 878-9336 • Fax: (605) 664-9304 [www.truxedo.com](http://www.truxedo.com)

P/N 1117098 Rev. B