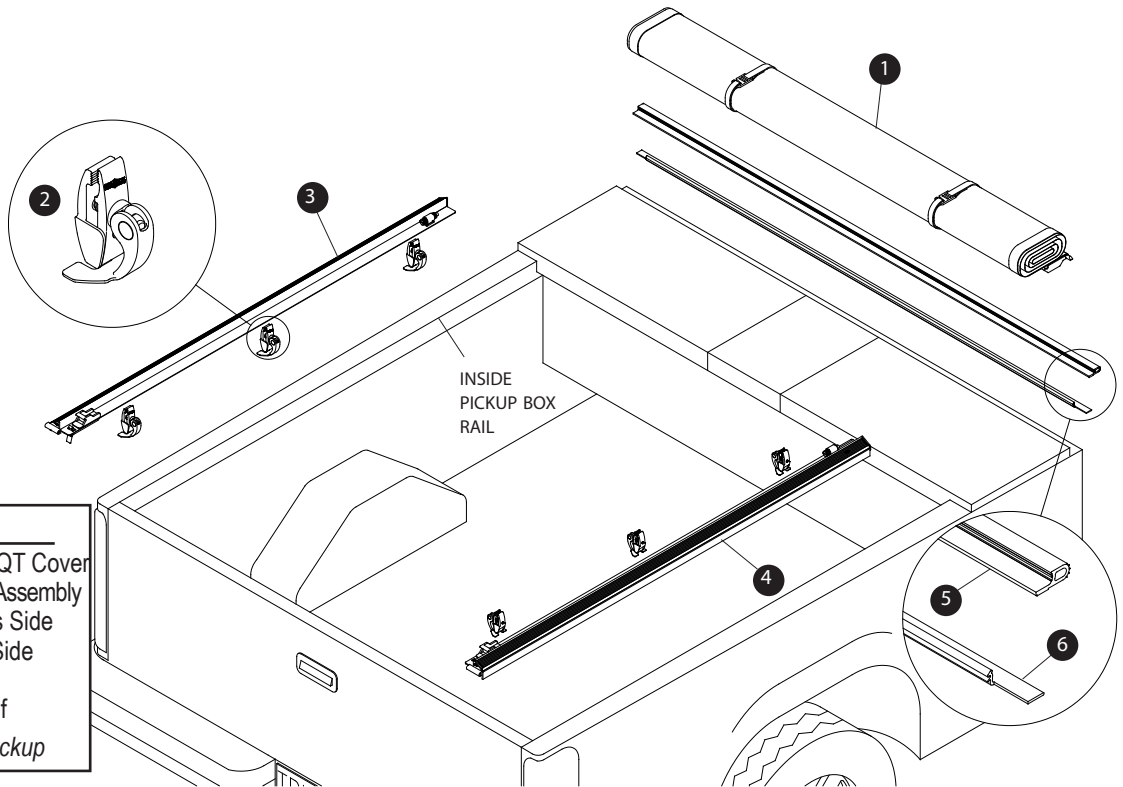


TRUXEDO® LO PRO QT TOOLBOX INSTRUCTIONS

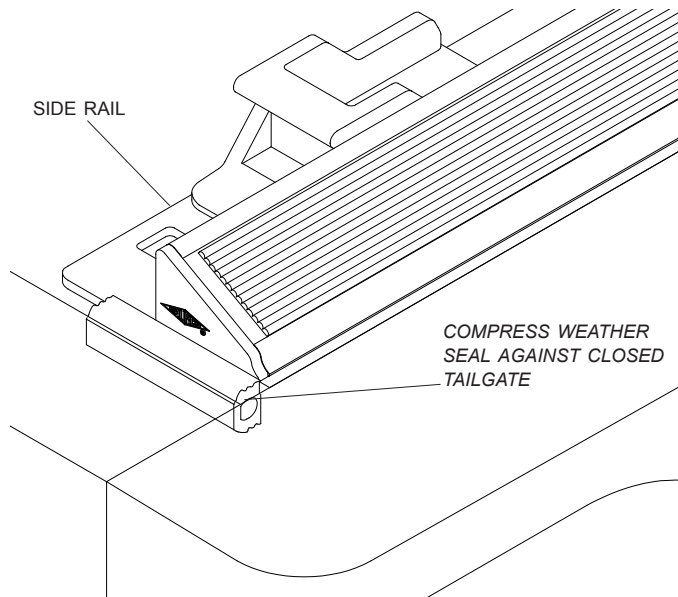


Item	Part #	Description
1.	*	TruXedo® Lo Pro QT Cover
2.	1116896	Lo Pro QT Clamp Assembly
3.	*	Side Rail, Driver's Side
4.	*	Side Rail, Pass. Side
5.	1703656	Rubber D-Seal
6.	1703655	Header Seal Shelf

* Specify make and model of pickup

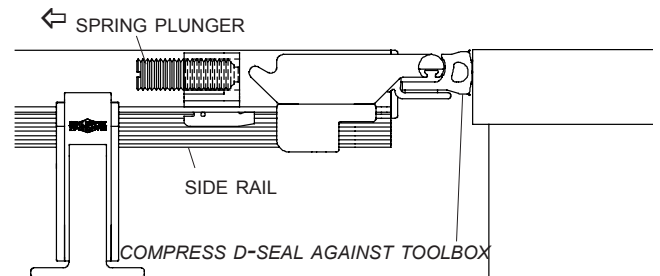
IMPORTANT: Toolbox must be anchored securely to pickup bed before installing cover assembly.

STEP 1: Install side rails as shown, refer to Steps 1-2 in the TruXedo® Lo Pro QT owner's manual, **except**, position the end of the TruXedo rail at the rear of truck bed, compressing weather seal 3/16" against tailgate.



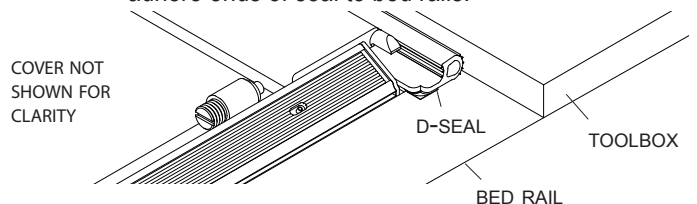
STEP 2: Back spring plungers out. Place cover assembly across pickup bed, between side rails and toolbox. If D-seal is not compressed against toolbox, move side rails toward cab.

NOTE: In order for the D-seal to perform as a water barrier, it must be compressed against the toolbox.



STEP 3: Follow instructions in TruXedo® Lo Pro QT owner's manual to re-adjust tension, and to complete installation of cover assembly.

STEP 4: Clean pickup bed rail. Remove backing from ends of D-seal, and press ends of seal onto pickup bed rails to adhere ends of seal to bed rails.



TruXedo, Inc.

P.O. Box 1078, 2209 Kellen Gross Dr., Yankton, South Dakota 57078

Call Toll Free: 1-877-TRUXEDO (1-877-878-9336) Fax: (605) 664-9304 Visit Us Online: <http://www.truxedo.com>

TRUXEDO
Lo Pro QT

P/N 1116254 Rev C