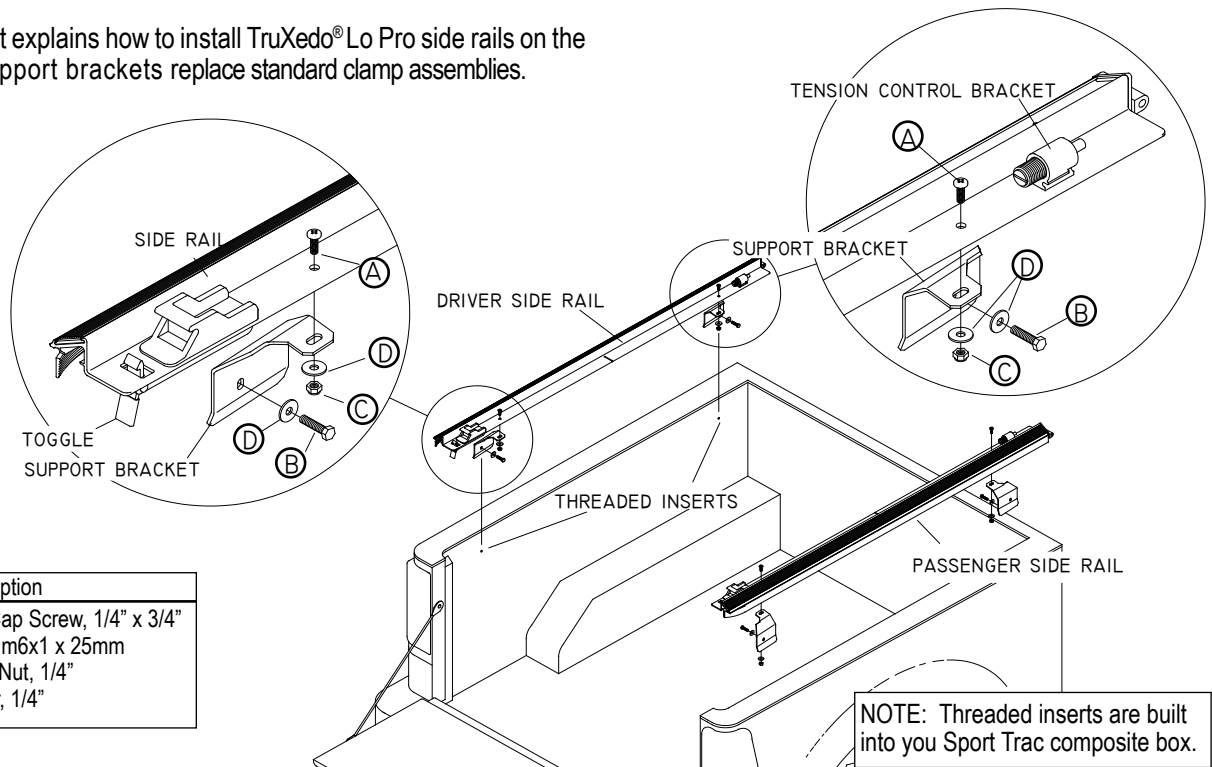


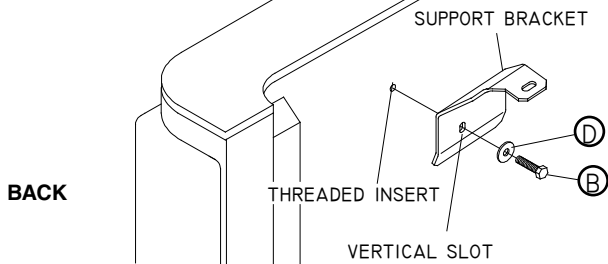
# TRUXEDO® LO PRO FORD EXPLORER SPORT TRAC 2001-2006 INSTRUCTIONS

This instruction sheet explains how to install TruXedo® Lo Pro side rails on the Ford Sport Trac. Support brackets replace standard clamp assemblies.

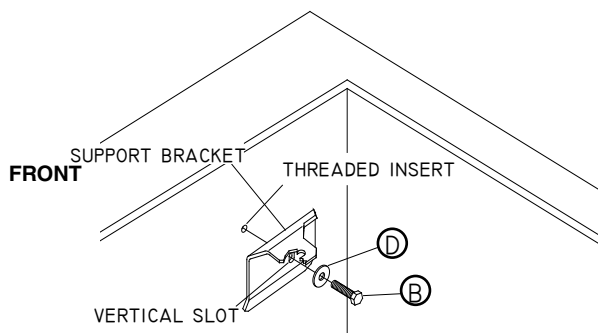


Item	Part #	Description
A.	1702741	Pan Head Cap Screw, 1/4" x 3/4"
B.	1702831	Cap Screw, m6x1 x 25mm
C.	1701543	Nylon Lock Nut, 1/4"
D.	1700427	Flat Washer, 1/4"

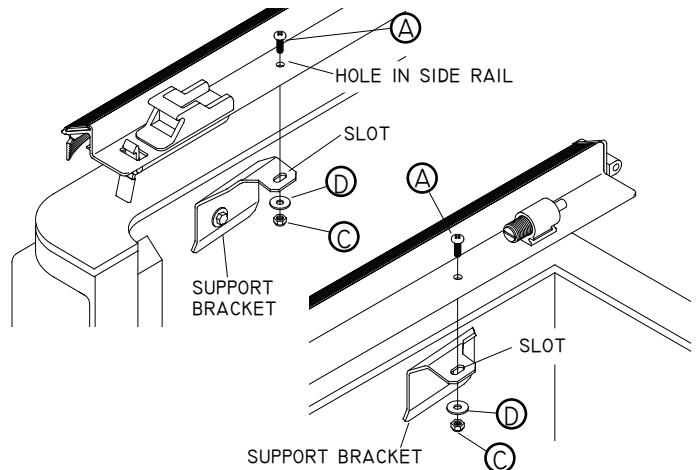
**STEP 1:** Align verticle slot in support bracket with threaded insert in composite box near tailgate. Insert screw **B** through washer **D** and slot in bracket. Finger tighten into composite box.



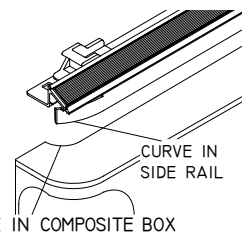
**STEP 2:** Align verticle slot on support bracket with threaded insert at front of composite box. Insert screw **B** through washer **D** and slot in bracket. Finger tighten into composite box.



**STEP 3:** Fasten side rails to support brackets through holes in side rails with screws **A**, washers **D**, and nuts **C**.



**STEP 4:** Adjust side rails rearward so that the curve in the side rail seals against the curve in the composite box.



**STEP 5:** Tighten all screws and nuts securely.

**CAUTION** Tighten screws and nuts on side rails before driving vehicle

## TruXedo, Inc.

P.O. Box 1078, 2209 Kellen Gross Dr., Yankton, South Dakota 57078  
 Call Toll Free: 1-877-TRUXEDO (1-877-878-9336) Fax: (605) 664-9304  
 Visit Us Online: <http://www.truxedo.com>

**TRUXEDO**  
 Lo-Pro RT  
 P/N 1115506 Revision B