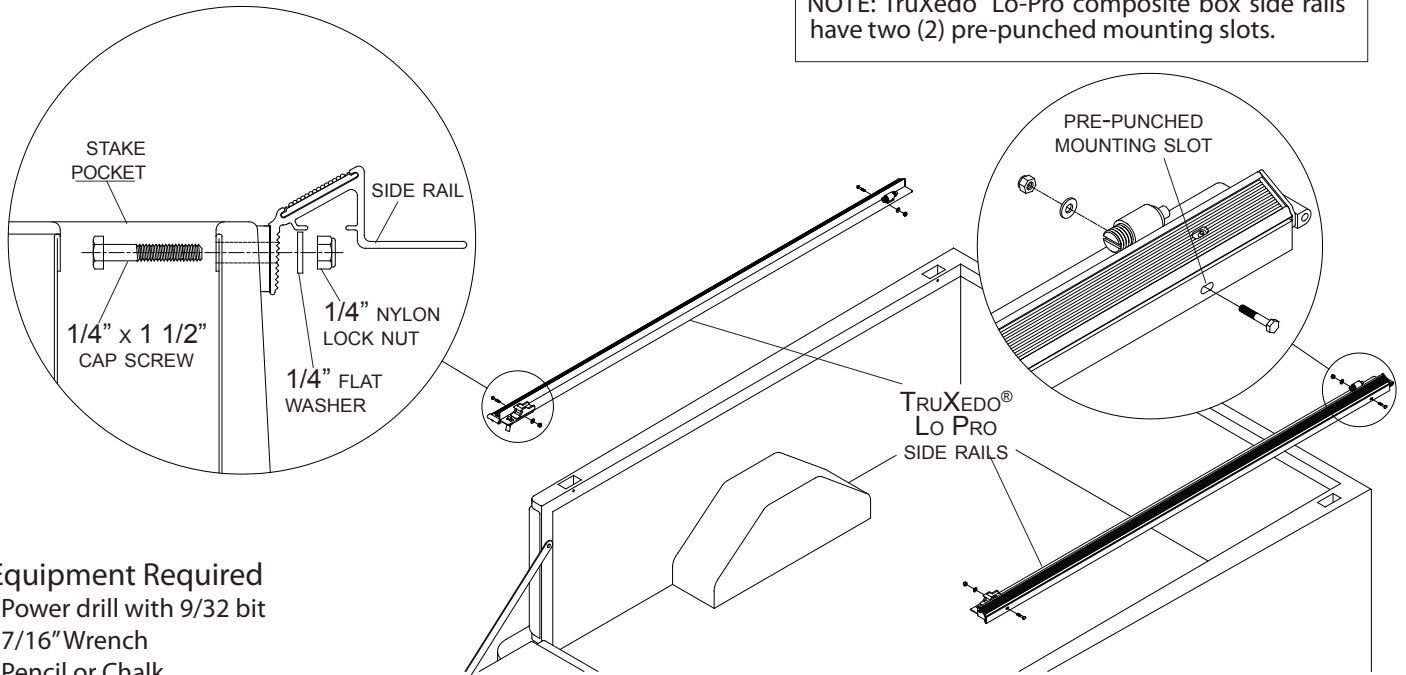


TRUXEDO® LO PRO CHEVY COMPOSITE BOX INSTRUCTIONS

To install TruXedo® Lo-Pro side rails on your composite box, follow these instructions. Cap screws, flat washers, and lock nuts replace standard clamp assemblies in your TruXedo® Lo-Pro kit. Read all instructions before installing.

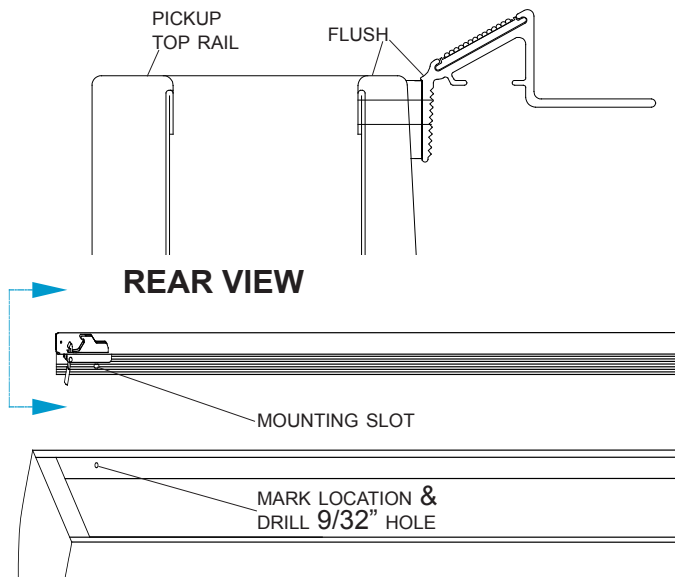
NOTE: TruXedo® Lo-Pro composite box side rails have two (2) pre-punched mounting slots.



Equipment Required

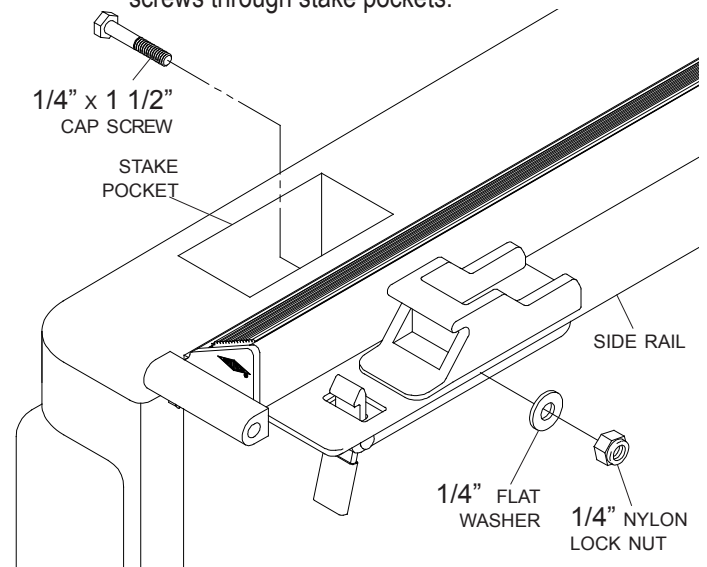
- Power drill with 9/32" bit
- 7/16" Wrench
- Pencil or Chalk

STEP 1: Locate side rail as shown in Owner's Manual. Mark hole locations on inside of composite box, using pre-punched mounting slots as guides. Repeat for other side rail.



STEP 2: Drill 9/32" holes at marked locations.

STEP 3: Fasten side rails to inside of composite box with 1/4" x 1 1/2" cap screws, washers and lock nuts. Install cap screws through stake pockets.



NOTE: Refer to the TruXedo® Lo Pro manual for complete assembly instructions.

TruXedo, Inc.

P.O. Box 1078, 2209 Kellen Gross Dr., Yankton, South Dakota 57078

Call Toll Free: 1-877-TRUXEDO (1-877-878-9336) Fax: (605) 664-9304 Visit Us Online: <http://www.truxedo.com>

TRUXEDO®
Lo-Pro[®]
Patented

P/N 1115436 Rev. B