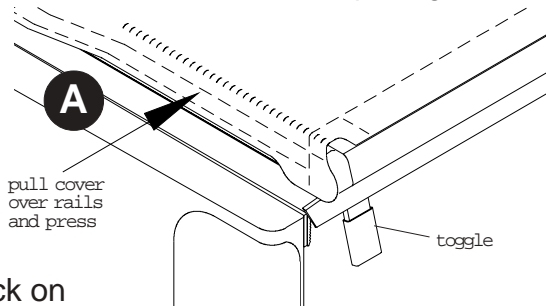


## STEP 7: OPERATION

Keep in mind the following:

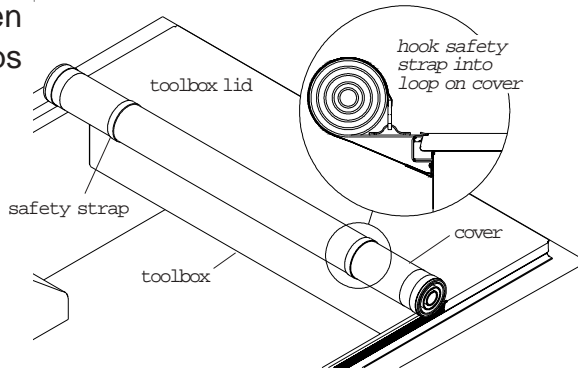
- While driving vehicle, Shur-Bond™ VELCRO® brand fasteners must be secured along entire length of cover to prevent wind lift.
- For best results, leave cover fastened to side rails while opening.

**A)** Secure cover by pulling cover over rails and pressing edges into Shur-Bond™ VELCRO® brand hook on side rail.



**B)** To release cover, pull back on toggle. Leaving VELCRO® brand hook and loop attached, roll cover toward cab to open.

**C)** To secure cover in open position, stretch safety straps around cover, and hook into loops on cover.



*Note: With cover rolled open and safety straps secured, it is possible for water to intrude into toolbox.*

## STEP 8: TROUBLESHOOTING

### **COVER HEADER WILL NOT LATCH:**

Check side rails to make sure they are level. See Step 2.  
Make sure the header seal is not caught between side rail and header.  
Check position of side rails on box, they may be positioned too low. See Step 1.

**FABRIC COVER IS TOO TIGHT OR TOO LOOSE:** See Step 6 to adjust tension.

**TOOLBOX WILL NOT UNLATCH:** See Step 4 to adjust striker and latch.

### **REAR HEADER SEAL IS NOT INSIDE TAILGATE WHEN COVER IS CLOSED:**

Press header seal, while running hand across entire length of seal to train. See Step 6.

\*VELCRO® is a registered trademark of the Velcro companies.

**Questions?** Call our friendly customer service staff at Shur-Co.  
Toll Free: 1-877-878-9336 Mon - Fri 8 am - 5 pm CT

# TRUXEDO Plus

by Shur-Co. Patent

BY



**The 2 in 1 Tool Box  
Tonneau Cover  
Combination!**



P.O. Box 713, 2309 Shur-Lok Street,  
Yankton SD 57078

Phone: USA 1-877-TRUXEDO

(1-877-878-9336)

Fax: (605) 664-9304

Web Site : <http://www.truxedo.com>

Truxedo Plus® is a registered United States trademark of Shur-Co. Patent #6,568,740

3/11/04, 50

P/N 1115392 Rev. A

GENUINE  
**SHURCO**

# WARRANTY

Shur-Co. warrants that new, unused Truxedo Plus® kits are free from defects in material & workmanship for a period of One Year. This Limited Warranty is effective if the product is properly installed and used for the purpose intended and applies to the original buyer only.

All Requests for Warranty must first receive an Authorized RMA (Returned Materials Authorization) number from Shur-Co. To receive an RMA, the Dealer, Distributor, or End User must contact Shur-Co. at 1-877-878-9336 between the hours of 7:00am and 5:00pm CT and be prepared with the model number or vehicle type, where Truxedo Plus was purchased from, who installed the unit, and a complete description of the apparent problem. All attempts will be made over the phone with our customer satisfaction group to remedy the problem.

If an RMA number is authorized, Shur-Co.'s obligation under this Warranty is limited to repairing, or at it's option, replacing any part that is returned, transportation prepaid, to Shur-Co., Yankton, South Dakota, if the product is, in our judgment, defective. No returns shall be allowed due to improper adjustment or alignment. Shur-Co. shall not be liable or responsible to supply or pay labor to replace any part found defective, nor shall it be liable for any damages of any kind or nature to person, product, or property.

There are no Warranties for used products or products that have been repaired, altered, modified, subjected to misuse, negligence, accident or ordinary wear and tear.

Shur-Co. products are sold without any express warranty except as set forth above.

Shur-Co. is not obligated to honor warranty claims if Genuine Shur-Co. parts are not utilized.

**DIRECT ALL WARRANTY CLAIMS  
TO SHUR-CO. AT 1-877-878-9336**

## SAFETY INSTRUCTIONS

1. **Do not place objects on or against cover or cover framework.**
2. **Do not tie cargo to TruXedo framework.**
3. **Never allow children or pets to occupy pickup box while cover is closed.**
4. **Cover is not airtight. Special care is required to keep cargo clean and dry.**
5. **Fabric cover won't prevent theft of contents inside truck box.**
6. **Cover must be rolled fully open and secured with the safety straps when towing vehicle backwards.**

### Message To Owners

It is the responsibility of the owner/user to read this manual and comply with the operating procedures. The owner/user is also responsible for inspecting the TruXedo Plus® cover and toolbox, making proper adjustments & having parts repaired or replaced when worn or damaged.

Failure to follow safety instructions and warning labels could result in failure of your cover system and/or personal injury.

### Tools Required

1. 7/16" Open Ended Wrench
2. 1/2" Socket or Wrench
3. 9/16" Socket or Wrench
4. Phillips Screwdriver
5. Large Flat Screwdriver

### Message To Installers

Always wear safety glasses and/or other necessary protective equipment when installing your TruXedo Plus®.

These instructions are complete for most pickup models. Additional instructions are included, if required for your truck. Please read entire manual before installing your TruXedo Plus® system.

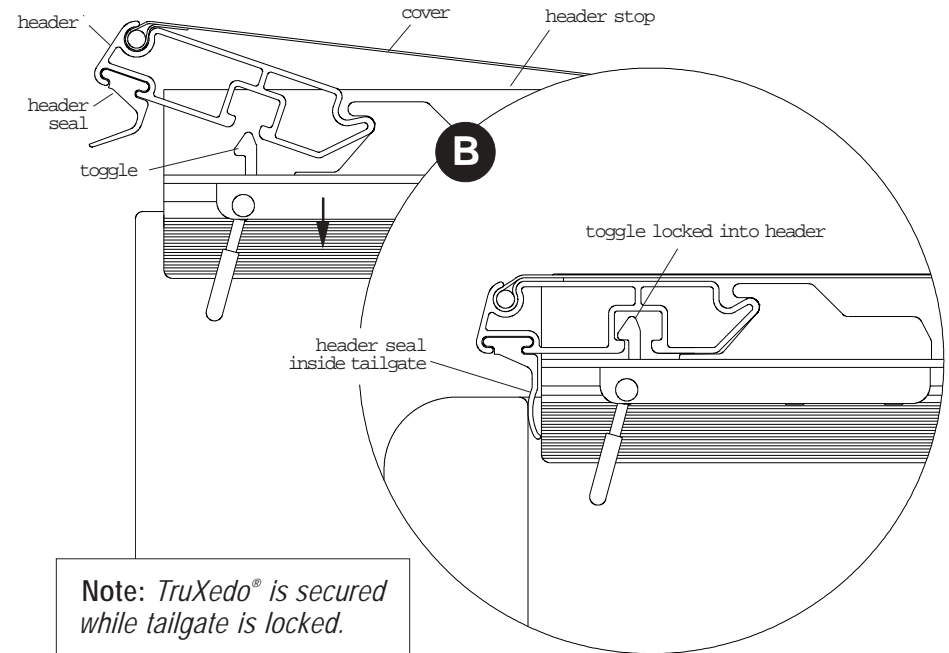
### Cover Maintenance

Vinyl cover can be hand washed with mild soap and water or cleaned in a car wash. Thoroughly rinse cover to remove any soap residue. Cover can be treated with any vinyl protectant made for tonneau covers. **Never use silicon, petroleum, or citrus based products on your tonneau cover.**

## STEP 5: CLOSING THE COVER

**A)** Unroll cover toward tailgate.

**B)** Position header into header stops. Rotate header down and press to lock toggle into header.



## STEP 6: COVER TENSION ADJUSTMENTS

Keep in mind the following:

- *Cover material contracts when warm and expands when cold.*
- *Check cover tension after installation, seasonally, and after extreme temperature changes.*
- *Adjust tension regularly to protect your cover against wind wear.*

**A)** Close cover and check tension.

**B)** To adjust tension, open cover and loosen 5/16" hex nuts.

**C)** Adjust position of toolbox forward or backward and retighten hex nuts.

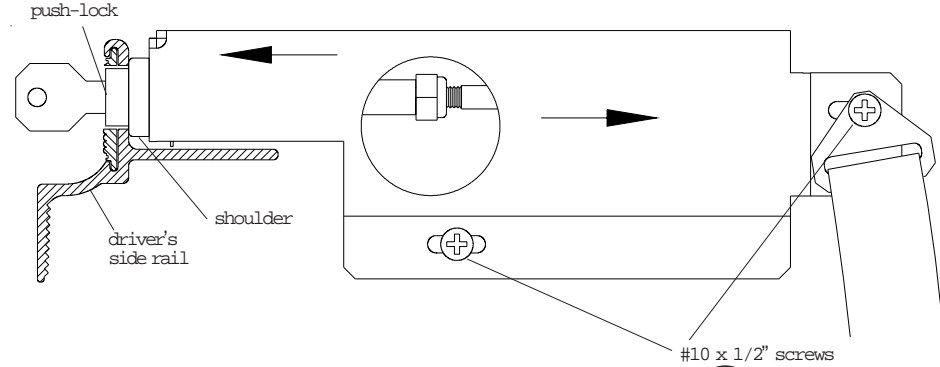
**D)** Close cover and recheck tension.

**E)** Repeat until desired tension is achieved.

## STEP 4: PUSH-LOCK TENSION ADJUSTMENT

Keep in mind the following:

- *Correct tension is achieved when toolbox unlatches and latches easily.*
- *Lift lid to open. Lid does not open automatically when latch is released.*



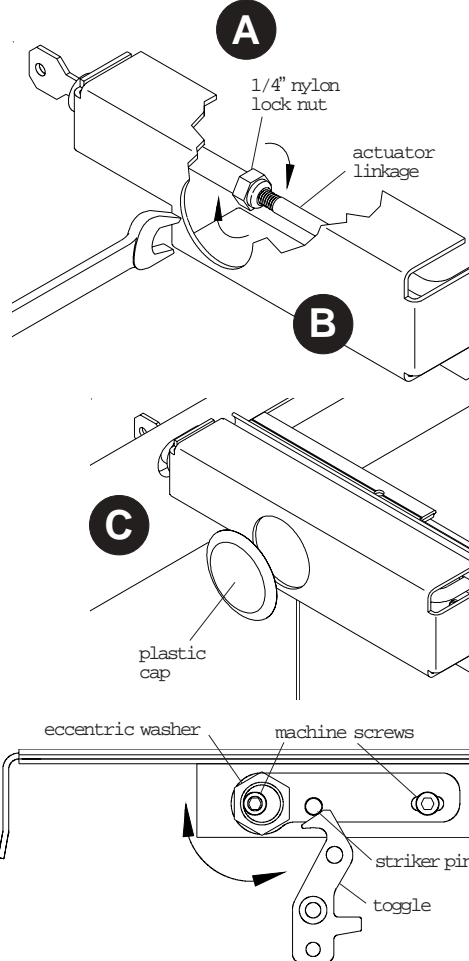
**A)** Align shoulder of push-lock assembly against driver's side rail and tighten screws.

**B)** Turn nylon lock nut inside push-lock assembly toward sleeve with 7/16" open ended wrench to take up slack in actuator linkage.

**Test Latch Adjustment:** To unlatch lid, press push-lock and lift up on lid. If lid remains latched, continue adjusting tension in actuator linkage until lid opens. If adjustment problems continue, back off nut and start over.

**C)** Install plastic cap after adjusting tension.

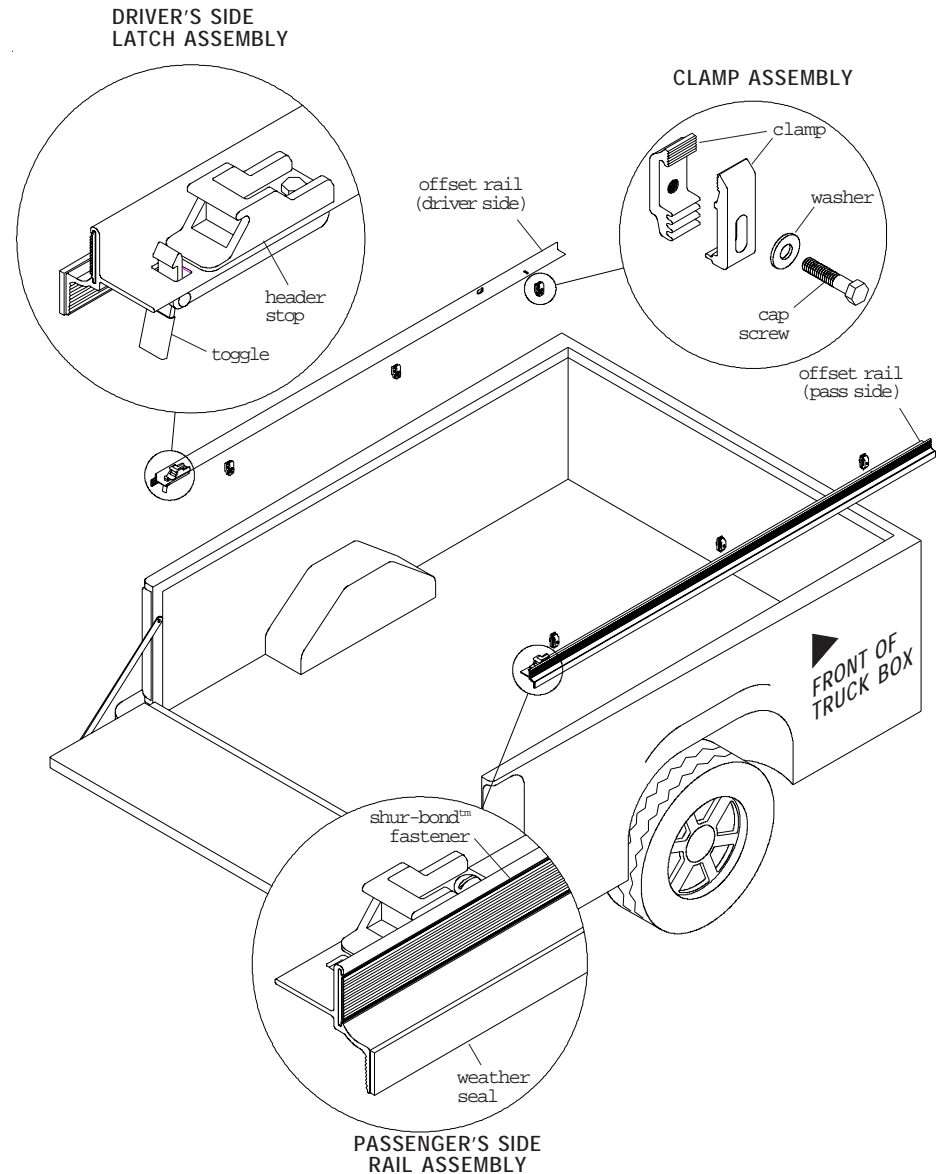
**D) Adjust Striker :** Loosen both screws and turn eccentric washer until lid unlatches freely. Retighten screws after final adjustment.



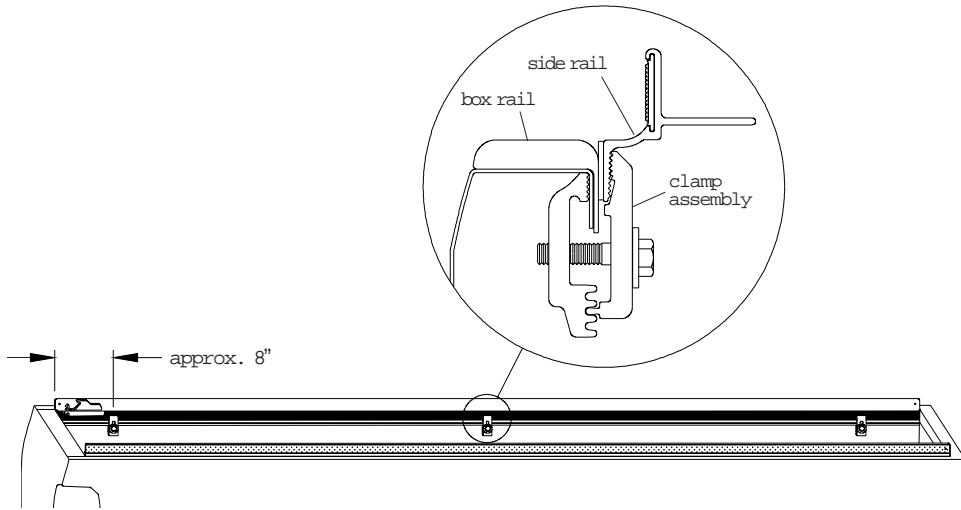
## STEP 1: SIDE RAIL INSTALLATION

Keep the following in mind when installing side rails:

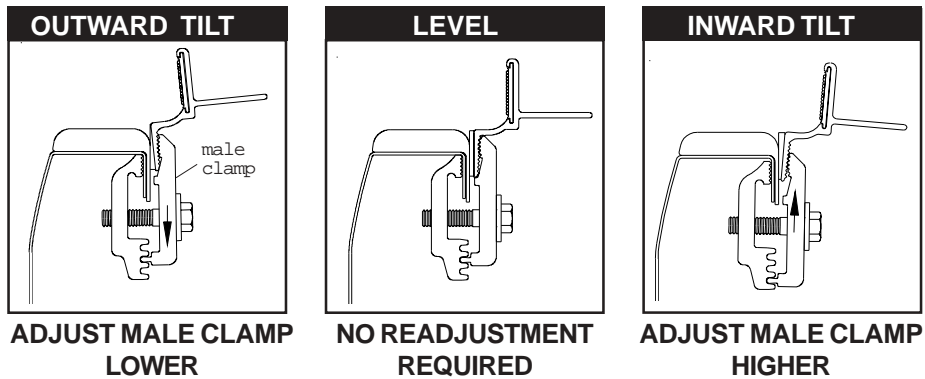
- *Latch assembly should be at the rear of the box on the driver's side*
- *Side rails need to be level with each other. See 1B.*
- *Make sure that you tighten all clamps **FIRMLY** before you travel. See warning.*
- *The TruXedo works with most bedliners, however, your bedliner may need to be trimmed to allow side rails to rest against front of truck box.*



**A) Install side rails:** Place side rails against front of truck box, flush with box rail and level with each other. Starting at tailgate, evenly space three clamps along each side rail, leaving about 8" free on each end.



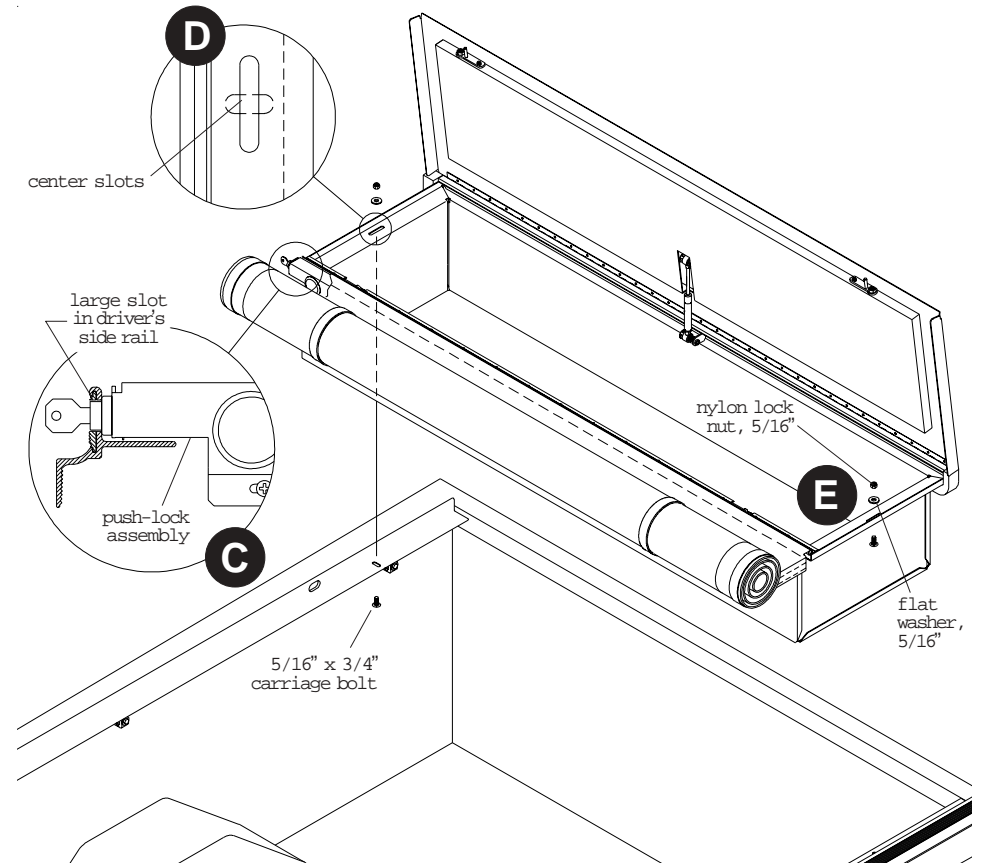
**B) Adjust side rails:** For optimum latching performance and cover fit, side rails must be level. To adjust rails, loosen screws and reposition male clamps higher or lower. Tighten all clamps.



**WARNING** Tighten clamps securely on side rails before driving vehicle.

**C) Install toolbox/cover on pickup:** Position toolbox/cover assembly on pickup so push-lock assembly aligns with large slot in driver's side rail.

**D)** Align center slots on toolbox with slots on side rails.

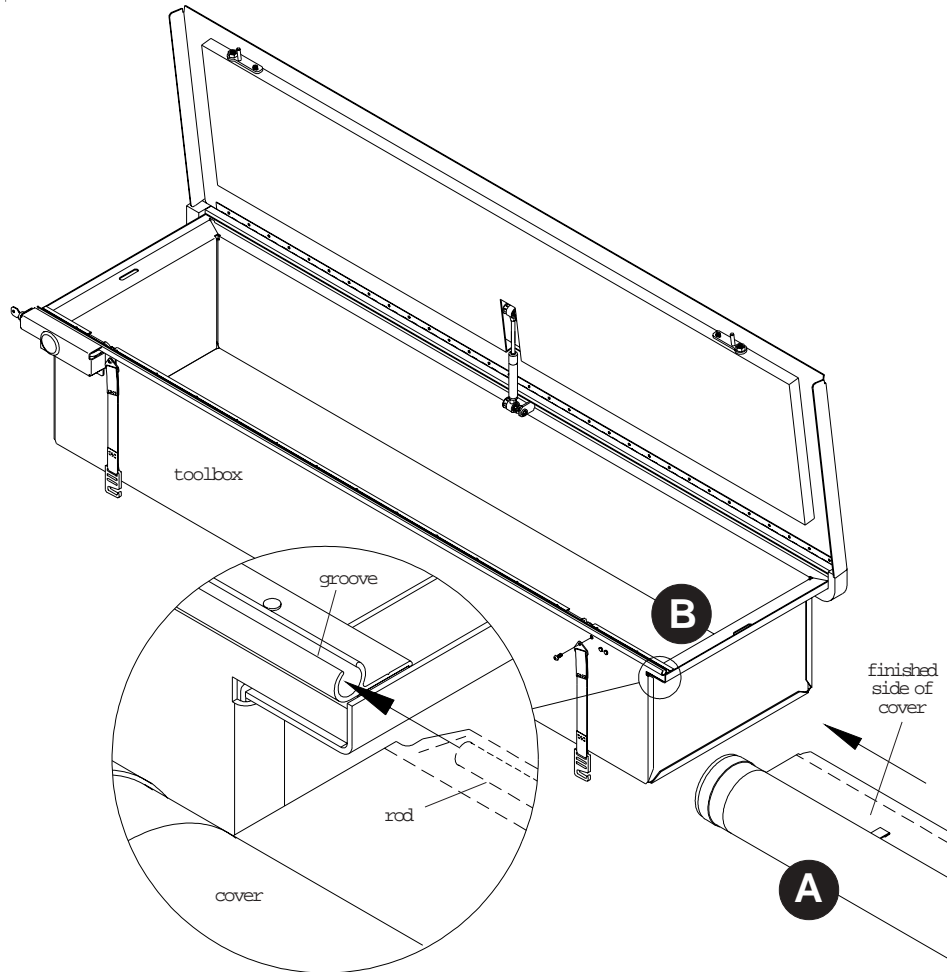


**E)** Secure toolbox to side rails with 5/16" x 3/4" carriage bolts, flat washers, and lock nuts.

### STEP 3: COVER INSTALLATION

Keep in mind the following:

- The rod inside the cover's front pocket fits into the groove on the toolbox to secure the cover.
- Work on a clean flat surface to prevent damage to your cover.



#### A) Secure cover to toolbox:

Slightly unroll cover assembly and position cover so finished side is facing upward.

B) With tool box open, slide front edge of cover into groove along edge of toolbox. Center cover on toolbox.

### STEP 2: TOOL BOX PUSH-LOCK INSTALLATION

Open tool box, remove push-lock assembly and hardware from box.

#### A) To open toolbox:

Insert screwdriver into slot and pry latch ratchet back while lifting toolbox lid.

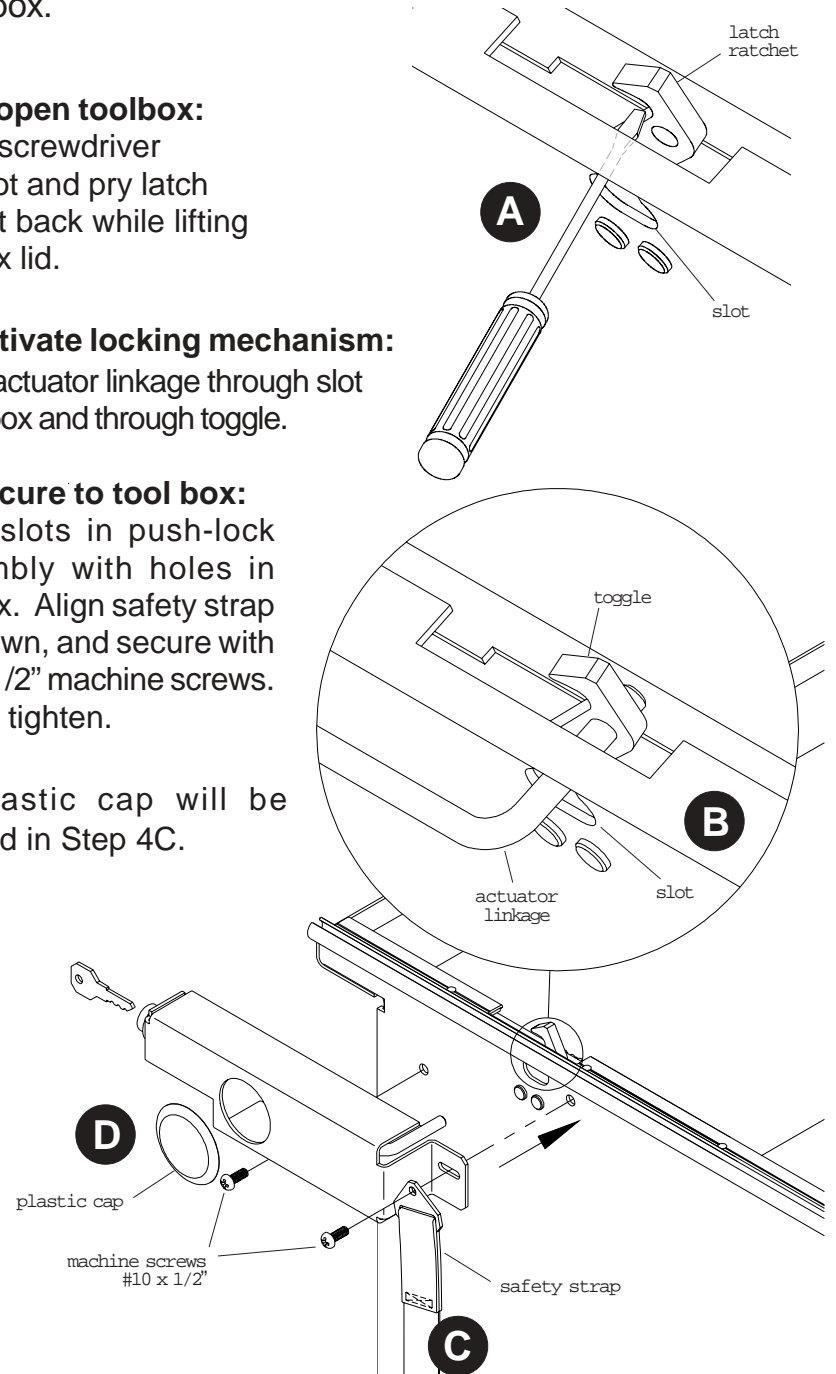
#### B) Activate locking mechanism:

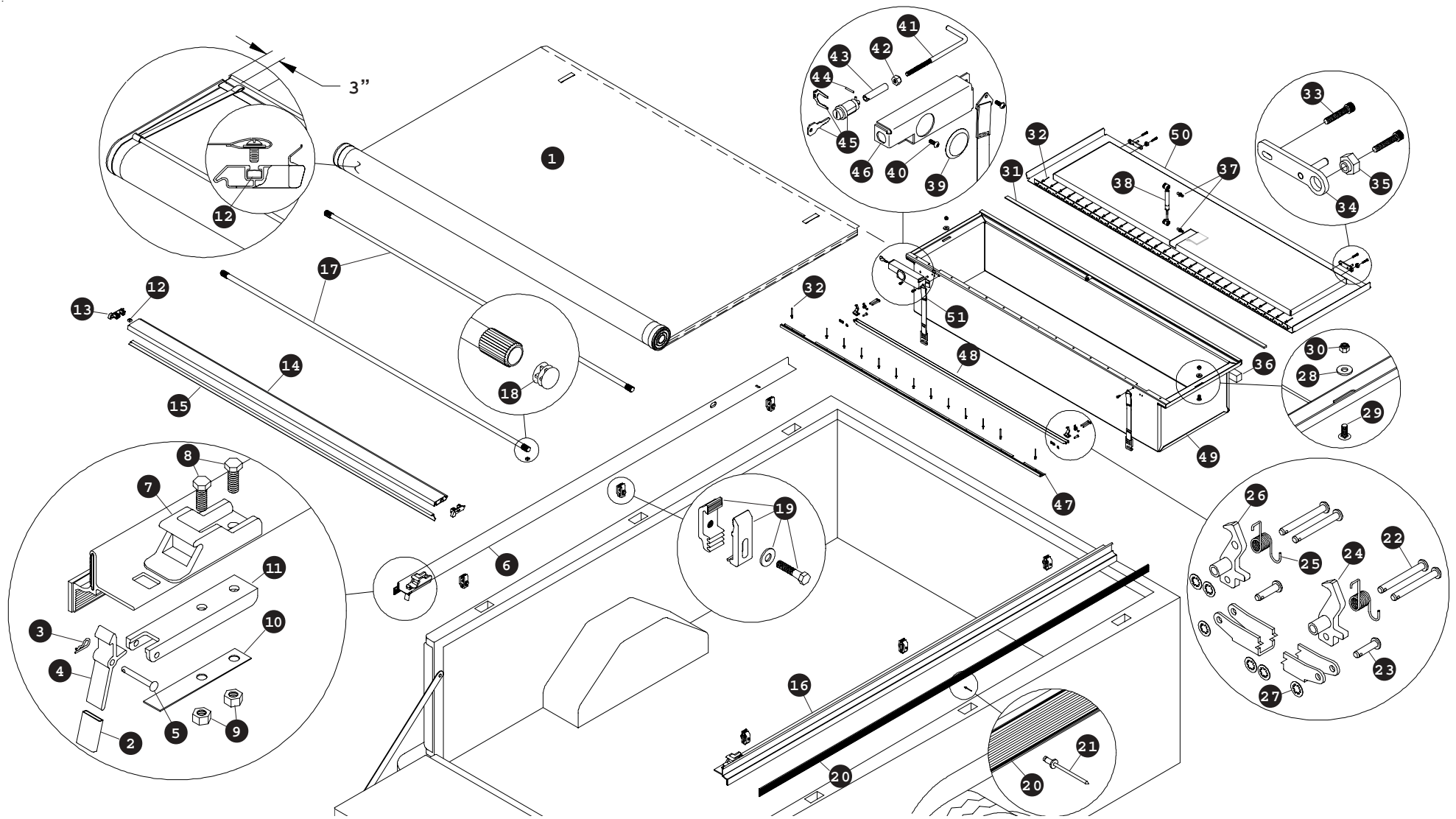
Insert actuator linkage through slot in toolbox and through toggle.

#### C) Secure to tool box:

Align slots in push-lock assembly with holes in toolbox. Align safety strap as shown, and secure with #10 x 1/2" machine screws. Finger tighten.

D) Plastic cap will be installed in Step 4C.





## TRUXEDO PLUS® REPLACEMENT PARTS

1	*	Truxedo Plus® Replacement Cover	14	*	Black Header	27	1703105	Push Nut, 7/16" OD x .064, 3/16" Shaft	40	1200161	Pan Head Machine Screw, #10 x 1/2"
2	1703265	Toggle Cap	15	*	Notched Header Seal	28	1700428	Flat Washer, 5/16"	41	1114336	Actuator Linkage
3	1702611	Cotter Pin, 3/64" x 19/32"	16	*	Passenger Side Rail Assembly	29	1703162	Carriage Bolt, 5/16" x 3/4"	42	1701543	Nylon Lock Nut, 1/4"
4	1114888	Toggle 2003	17	*	Bow Assembly	30	1700419	Nylon Lock Nut, 5/16"	43	1114337	Actuator Sleeve
5	1702610	Clevis Pin, 3/16" x 1 1/4"	18	1701595	End Plug	31	1703085	Weather Seal, 1/4" x 1/2"	44	1703077	Spring Pin, 3/32" x 5/8"
6	*	Driver Side Rail Assembly	19	*	Clamp Hardware	32	1700473	Pop Rivet, 3/16" x 1/4" Max Grip	45	1703090	Push-Lockw/Spring Clip
7	1702801	Header Stop	20	*	Shur-Bond™ VELCRO® Brand Fasteners	33	1703323	Machine Screw, #10 x 1"	46	1115246	Latch Housing
8	1702926	Hex Head Cap Screw, 5/16" x 7/8"	21	1702826	Pop Rivet, 1/8" x 1/4"	34	1115236	Striker	47	*	Canvas Rail
9	1700419	Nylon Lock Hex Nut, 5/16"	22	1703079	Clevis Pin, 3/16" x 1 5/8"	35	1703319	Eccentric Washer	48	*	Latch Actuator
10	1114773	Flat Spring, .050" x 5/8" x 3 7/8"	23	1703324	Clevis Pin, 3/16" X 3/4"	36	1703086	Weather Seal, 1" x 1"	49	*	Toolbox Frame
11	1112014	Latch Main Frame	24	1115234	Secondary Toggle Assembly	37	1703088	Ball Stud, 10MM End Fittings	50	*	Toolbox Lid
12	1702602	Square Nut, 3/8"	25	1703061	Torsion Spring, .4" x 1.38" x .73"	38	1703089	Gas Spring, 80 Lb	51	1115230	Safety Strap
13	1113793	Header End Plugs (Set of Two)	26	1115233	Primary Toggle Assembly	39	1703087	Flush Style Snap-in Plug, 1 1/2"			

\*Please supply make and model of truck or length required